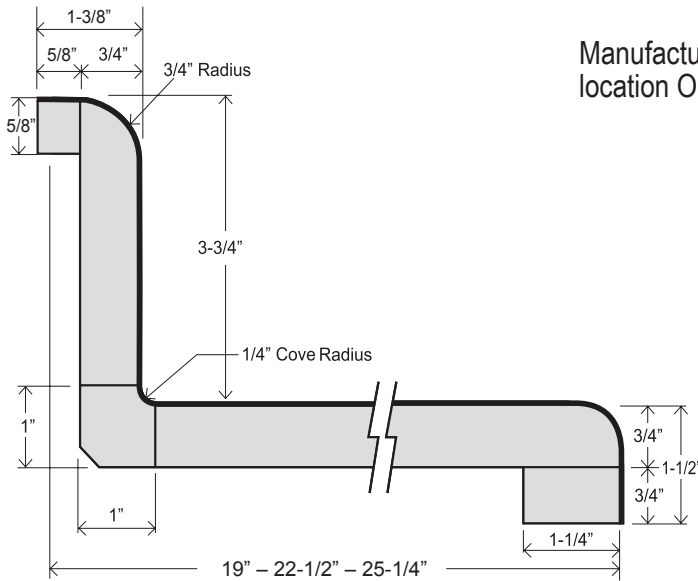


# WATERFALL 25-1/4" FRONT NOSE



Manufactured at Marion, Indiana  
location ONLY

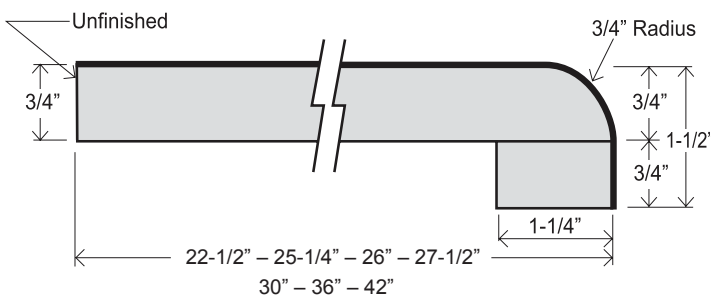
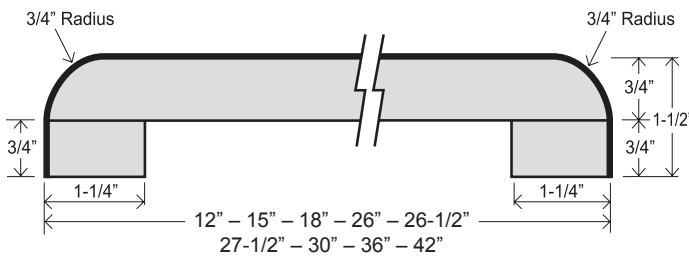


## FEATURES

- 3/4" radius front nose, 1-1/2" thick
- 1/4" cove radius for easy cleaning
- Featuring 1" x 1" cove molding
- 5/8" scribe for fitting out-of-square walls
- 1-1/4" front build-up for floating countertop installation
- Kitchen and vanity tops feature 3-3/4" backsplash
- All bars feature 3/4" roll radius both sides
- Flat deck tops have 3/4" roll front radius, unfinished back side

**KITCHEN & VANITY TOP**  
WFV 19  
WFV 22-1/2  
WFK 25-1/4

**BAR TOP**  
WFB 12  
WFB 15  
WFB 18  
WFB 26  
WFB 26-1/2  
WFB 27-1/2  
WFB 30  
WFB 36  
WFB 42



**FLAT DECK TOP**  
WFF 22-1/2  
WFF 25-1/4  
WFF 26  
WFF 27-1/2  
WFF 30  
WFF 36  
WFF 42



## CORPORATE HEADQUARTERS

522 W. 22nd Street  
Marion, IN 46953  
Phone: (765) 668-8144  
Fax: (765) 662-3452

## SHOWROOM LOCATIONS

Gulfport, MS | Macon, GA  
Statesboro, GA | Atlanta, GA

Visit our website:

[www.hartson-kennedy.com](http://www.hartson-kennedy.com)

