



**Hartson
Kennedy**
est. 1948

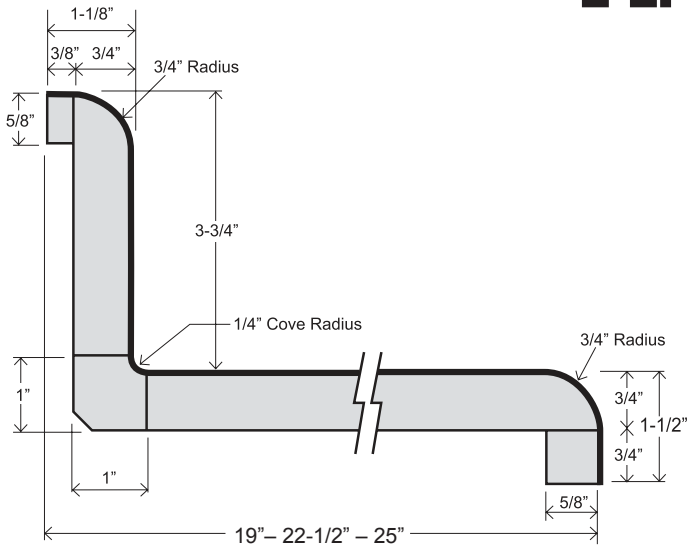
ULTRA-TOP

WATERFALL SOUTHERN FRONT

Specification FOR PLYWOOD

FEATURES

- 19mm plywood core
- 3/4" radius front nose, 1-1/2" thick
- 1/4" cove radius for easy cleaning
- Featuring MDF 1" x 1" cove molding
- 3/8" MDF scribe for fitting out-of-square walls
- 5/8" front build-up for nesting on cabinet installation
- Kitchen and vanity tops feature 3-3/4" backsplash
- All bars feature 3/4" roll radius both sides
- Flat deck tops have 3/4" roll front radius, unfinished back side
- Available with 1/4" front build-up for floating countertop installation (as shown on last illustration)

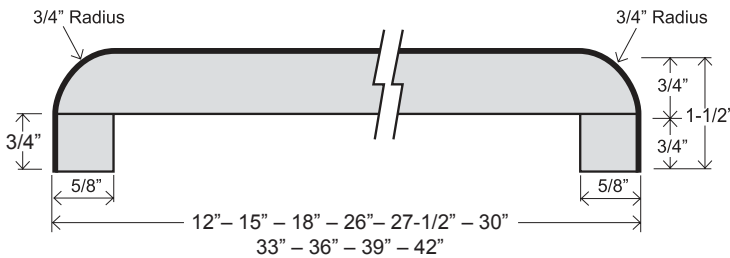


KITCHEN & VANITY TOP

WV 19
WV 22-1/2
WV 25

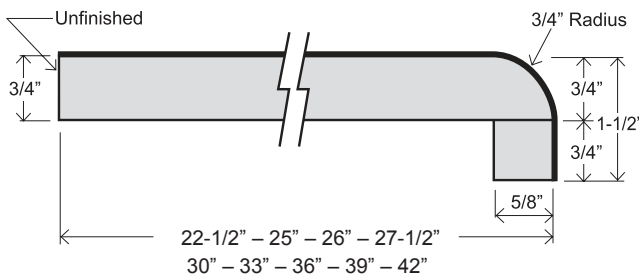
BAR TOP

WB 12
WB 15
WB 18
WB 26
WB 27-1/2
WB 30
WB 33
WB 36
WB 39
WB 42



FLAT DECK TOP

WF 22-1/2
WF 25
WF 26
WF 27-1/2
WF 30
WF 33
WF 36
WF 39
WF 42



hk | **Hartson-Kennedy Inc.**

CORPORATE HEADQUARTERS

522 W. 22nd Street
Marion, IN 46953
Phone: (765) 668-8144
Fax: (765) 662-3452

Visit our website:

www.hartson-kennedy.com

